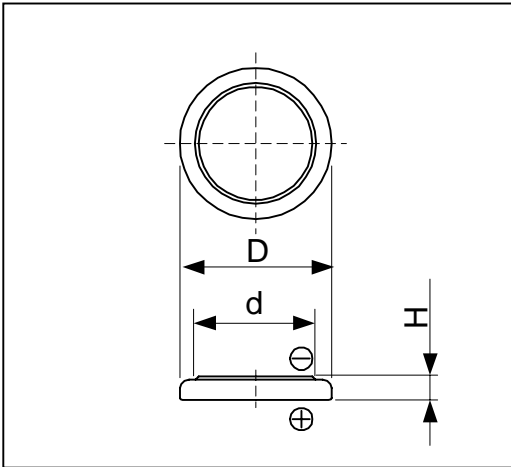


Cell Type CR2032

Specifications



Nominal Capacity ^{*1}		240mAh
Nominal Voltage		3V
Standard Discharge Current		0.3mA
Max. Discharge Current	Continuous ^{*2}	4mA
	Pulse ^{*3}	20mA
Temperature Range		-20 ~ 70
Weight		3.0g
Dimensions	D	20.0mm
	H	3.2mm
	d	Min. 15mm

*1 Nominal capacity is determined to an end voltage of 2.0V when the battery is allowed to discharge at a standard current level at 23°C.

*2 Current value is determined to be the level at which 50% of the nominal capacity is obtained with an end voltage of 2.0V at 23 °C.

*3 Current value for obtaining 2.0V cell voltage when pulse is applied for 15seconds at 50% discharge depth at 23 °C.

Typical Characteristics

Discharge Characteristics of CR2032

