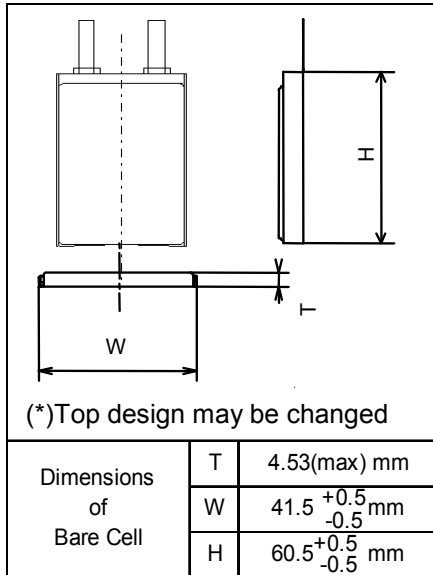


Cell Type UPF454261

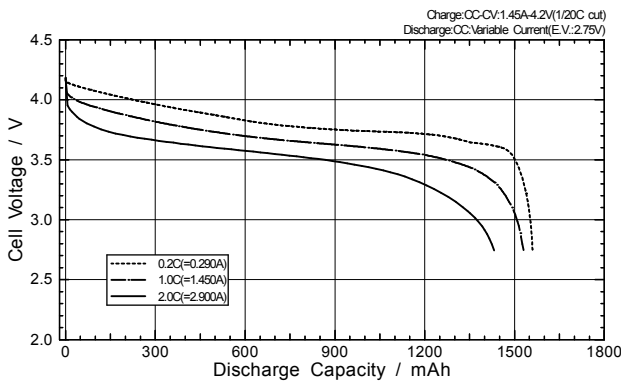
Specifications



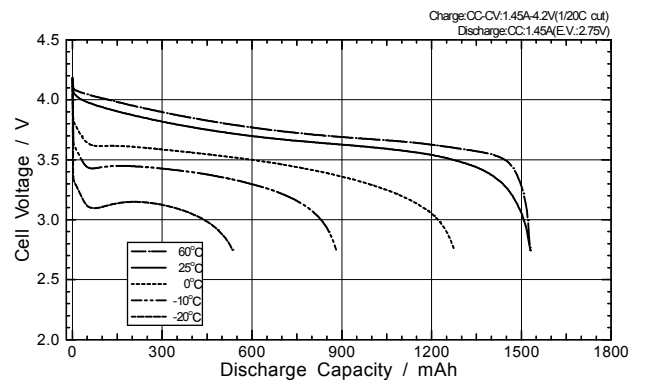
Nominal Capacity		1450mAh
Nominal Voltage		3.7V
Charging Method		Constant Current -Constant Voltage
Charging Voltage		4.2V
Charging Current		Std. 1500mA
Charging Time		3.0hrs.
Ambient Temperature	Charge	0~+40°C
	Discharge	-20~+60°C
	Storage	-20~+60°C
Weight (Max.)		27.0g
Dimensions (Max.)	(T) *	4.53mm
	(W)	42.00mm
	(H)	61.00mm
Volumetric Energy Density		462Wh/l
Gravimetric Energy Density		199Wh/kg

Typical Characteristics

Discharge rate characteristics



Discharge temperature characteristics



Charge characteristics

