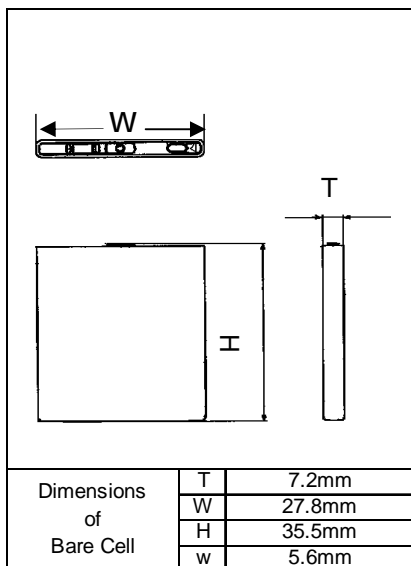




Cell Type UF752836F

Specifications



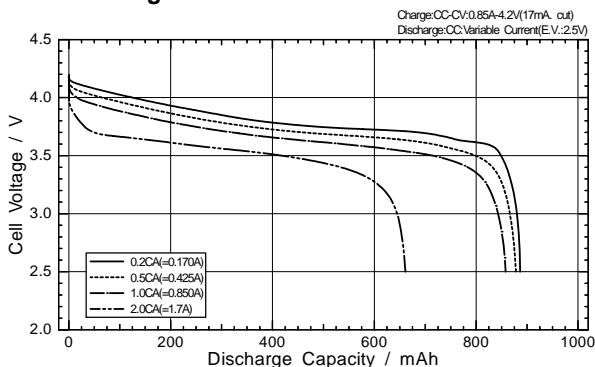
Nominal Capacity		Min.850mAh
Nominal Voltage		3.7V
Charging Method		Constant Current -Constant Voltage
Charging Voltage		4.20V
Charging Current		Std. 850mA
Charging Time		3.0hrs.
Ambient Temperature	Charge	0 ~ +40
	Discharge	-20 ~ +60
	Storage	-20 ~ +50
Weight (Max.)		17.3g
Dimensions (Max.)	(T)	7.50mm
	(W)	27.85mm
	(H)	35.80mm
Volumetric Energy Density		420Wh/l
Gravimetric Energy Density		181Wh/kg

Discharged State after Assembling

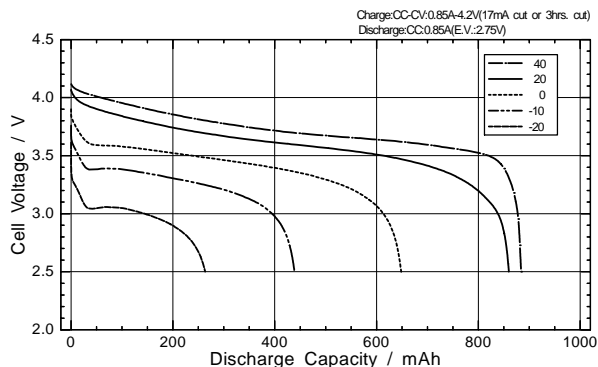
Typical Characteristics

*The maximum thickness of the standard shipment charging condition

Discharge rate characteristics



Discharge temperature characteristics



Charge characteristics

