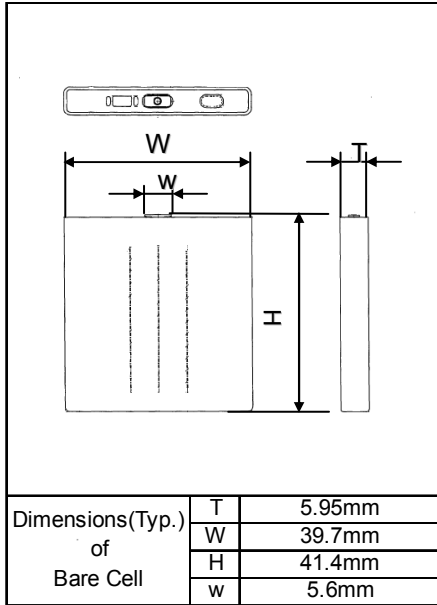


Cell Type UF634042FN

Specifications



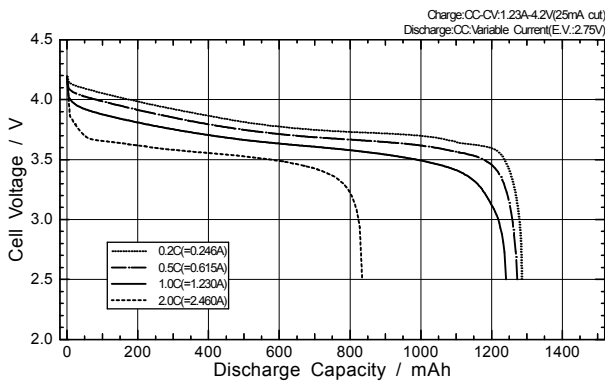
Charging Method		Constant Current -Constant Voltage
Charging Voltage		4.2V
Charging Current		Std. 1230mA
Charging Time		2.5hrs.
Ambient Temperature	Charge	0 ~ +40°C
	Discharge	-20 ~ +60°C
	Storage	-20 ~ +50°C
Weight (Max.)		24.6g
Dimensions (Max.)	(T)	6.20mm
	(W)	39.85mm
	(H)	41.70mm
Volumetric Energy Density		442Wh/l
Gravimetric Energy Density		185Wh/kg

Discharged State after Assembling

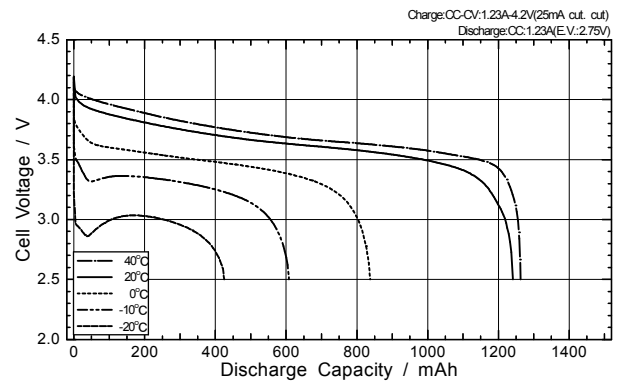
*The maximum thickness of the standard shipment charging condition

Typical Characteristics

Discharge rate characteristics



Discharge temperature characteristics



Charge characteristics

