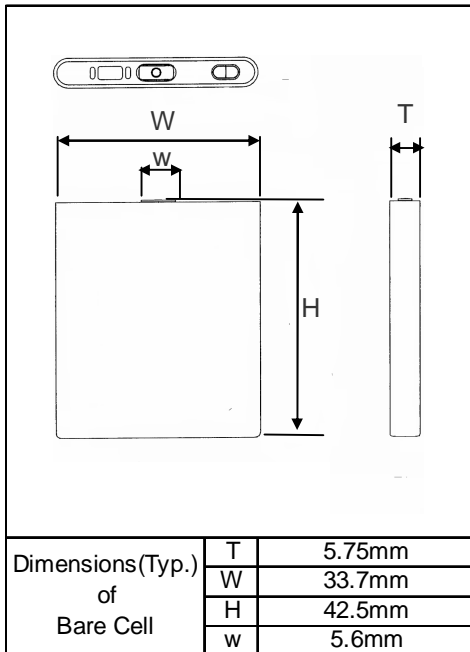


Cell Type UF603443S

Specifications



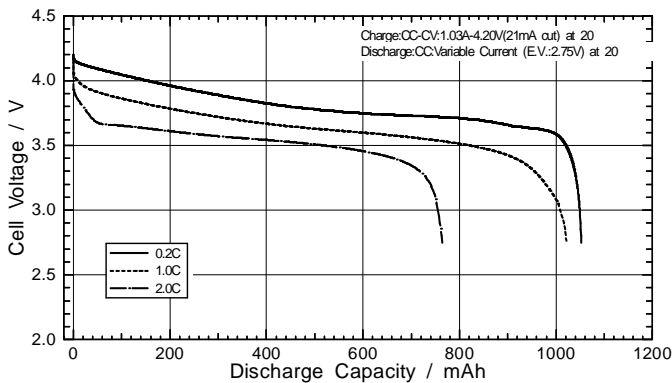
Nominal Capacity		Min.1030mAh
Nominal Voltage		3.7V
Charging Method		Constant Current -Constant Voltage
Charging Voltage		4.2V
Charging Current		Std. 1030mA
Charging Time		2.5hrs.
Ambient Temperature	Charge	0 ~ +40
	Discharge	-20 ~ +60
	Storage	-20 ~ +50
Weight (Max.)		20.5g
Dimensions (Max.)	(T)	5.90mm
	(W)	33.80mm
	(H)	42.75mm
Volumetric Energy Density		447Wh/l
Gravimetric Energy Density		185Wh/kg

Discharged State after Assembling

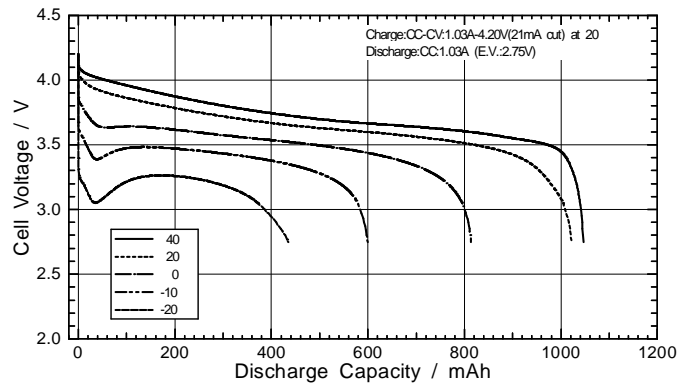
*The maximum thickness of the standard shipment charging condition

Typical Characteristics

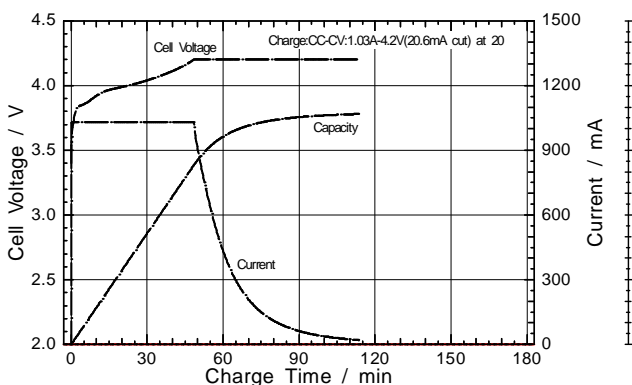
Discharge rate characteristics



Discharge temperature characteristics



Charge characteristics



Cycle characteristics

