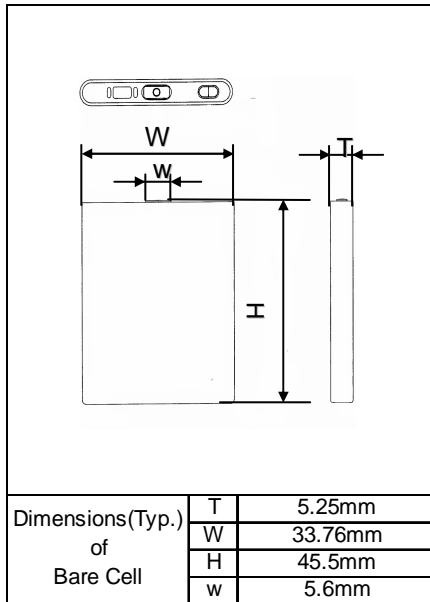


# Cell Type UF553446Z

## Specifications



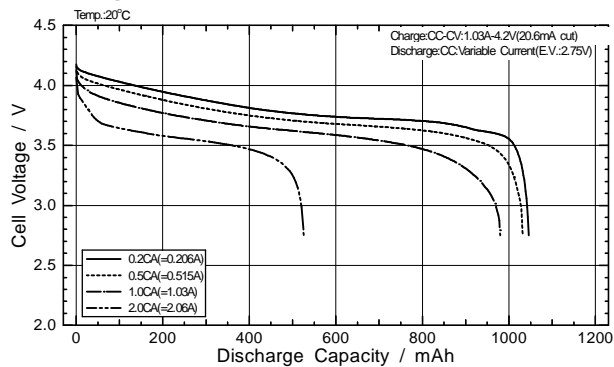
Nominal Capacity		Min.1030mAh
Nominal Voltage		3.7V
Charging Method		Constant Current -Constant Voltage
Charging Voltage		4.2V
Charging Current		Std. 1030mA
Charging Time		2.5hrs.
Ambient Temperature	Charge	0~+40°C
	Discharge	-20~+60°C
	Storage	-20~+50°C
Weight (Max.)		20.4g
Dimensions (Max.)	(T)	5.35mm
	(W)	33.86mm
	(H)	45.80mm
Volumetric Energy Density		459Wh/l
Gravimetric Energy Density		186Wh/kg

Discharged State after Assembling

\*The maximum thickness of the standard shipment charging condition

## Typical Characteristics

### Discharge rate characteristics



### Discharge temperature characteristics

