

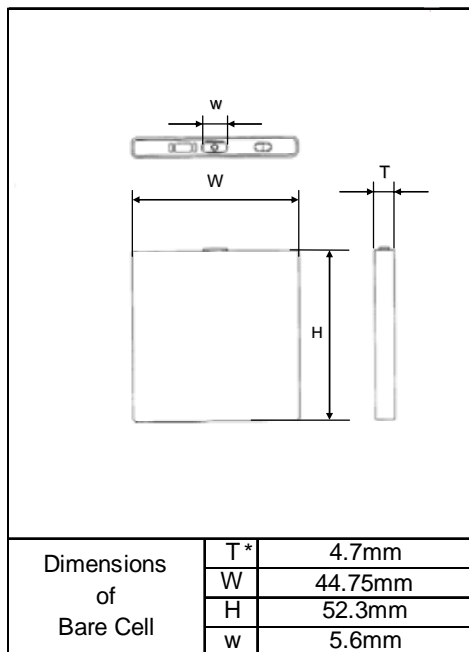
SANYO

Lithium ion

Jul. 09

Cell Type UF504553F

Specifications



Nominal Capacity		Min.1400mAh
Nominal Voltage		3.7V
Charging Method		Constant Current -Constant Voltage
Charging Voltage		4.2V
Charging Current		Std. 1400mA
Charging Time		3.0hrs.
Ambient Temperature	Charge	0 ~ +40
	Discharge	-20 ~ +60
	Storage	-20 ~ +50
Weight (Max.)		28.1g
Dimensions (Max.)	(T)**	5.00mm
	(W)	44.90mm
	(H)	52.60mm
Volumetric Energy Density		438Wh/l
Gravimetric Energy Density		184Wh/kg

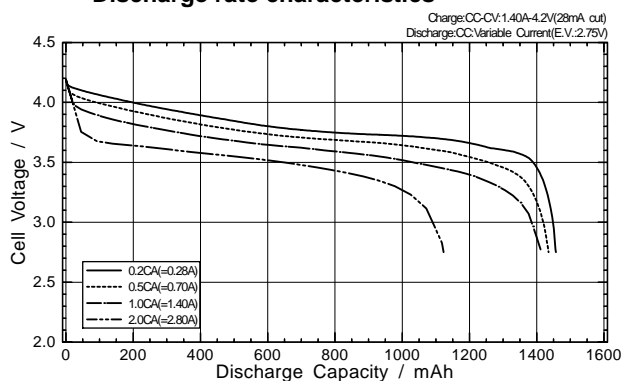
*Discharged State after Assembling

**The maximum thickness of the standard shipment charging condition

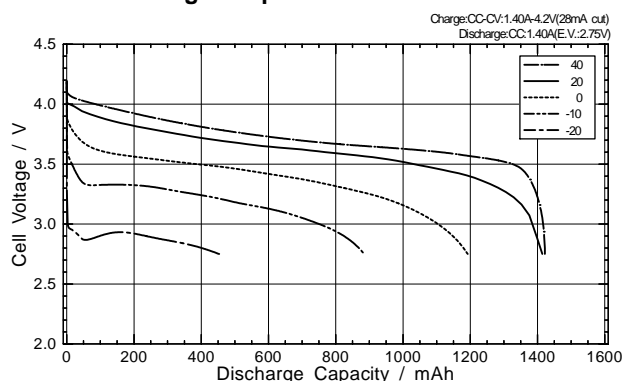
When designing a battery pack, get the precise information on a cell battery drawing

Typical Characteristics

Discharge rate characteristics



Discharge temperature characteristics



Charge characteristics

