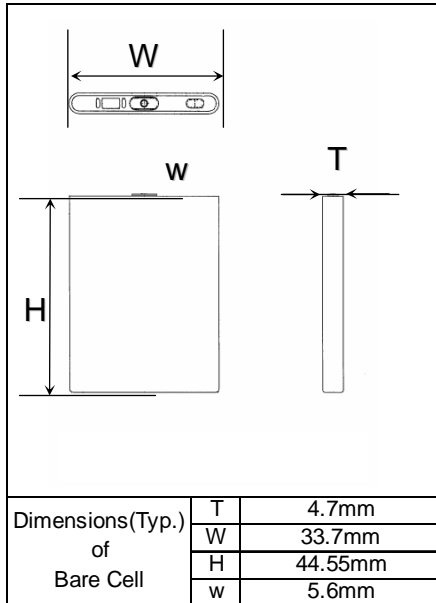


# Cell Type UF503445S

## Specifications



Discharged State after Assembling

Nominal Capacity		Min.900mAh
Nominal Voltage		3.7V
Charging Method		Constant Current -Constant Voltage
Charging Voltage		4.2V
Charging Current		Std. 900mA
Charging Time		2.5hrs.
Ambient Temperature	Charge	0~+40°C
	Discharge	-20~+60°C
	Storage	-20~+50°C
Weight (Max.)		17.4g
Dimensions (Max.)	(T)	4.90mm
	(W)	33.80mm
	(H)	44.80mm
Volumetric Energy Density		448Wh/l
Gravimetric Energy Density		191Wh/kg

\*The maximum thickness of the standard shipment charging condition