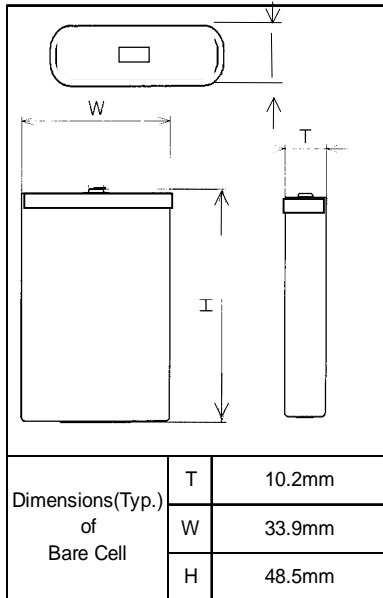


Cell Type UF103450P

Specifications



Nominal Capacity		Min.1880mAh
Nominal Voltage		3.7V
Charging Method		Constant Current -Constant Voltage
Charging Voltage		4.2V
Charging Current		Std. 1880mA
Charging Time		2.5hrs.
Ambient Temperature	Charge	0 ~ +40
	Discharge	-20 ~ +60
	Storage	-20 ~ +50
Weight (Max.)		38.5g
Dimensions (Max.)	(T)	10.50mm
	(W)	33.80mm
	(H)	48.80mm
Volumetric Energy Density		401Wh/l
Gravimetric Energy Density		180Wh/kg

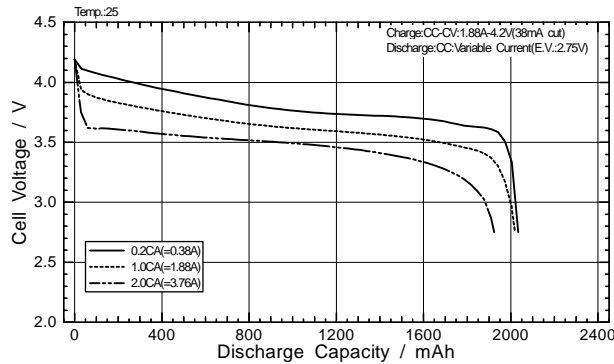
Discharged State after Assembling

*The maximum thickness of the standard shipment charging condition

*When designing a battery pack, get the precise information on a cell battery drawing

Typical Characteristics

Discharge rate characteristics



Discharge temperature characteristics

